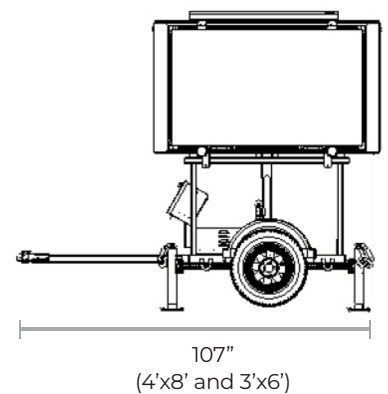
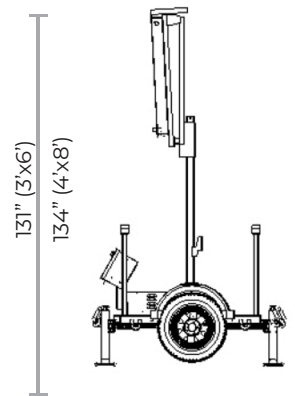
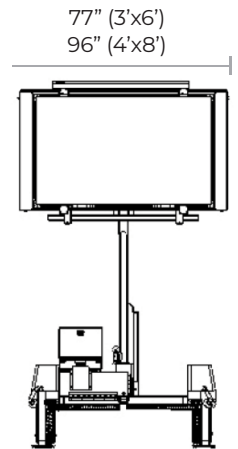
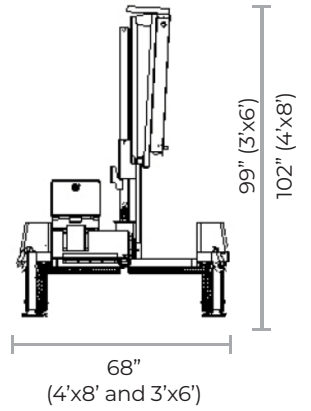


Message Center 360 Specifications

General	MC 360 - 4' x 8'	MC 360 - 3' x 6'
Width	68" (173 cm)	68" (173 cm)
Height	134" (340 cm) raised 102" (259 cm) travel	131" (333 cm) raised 99" (251 cm) travel
Length	107" (272 cm)	107" (272 cm)
Weight	850 lb. (385.5 kg)	850 lb. (385.5 kg)
Environmental	Weatherproof Wind Load - tested to 67 MPH	Weatherproof Wind Load - At least to 67 MPH
Operating Temperature	-40° to +167° F (-40° to +75° C)	-40° to +167° F (-40° to +75° C)
Cabinet	Welded Aluminum 0.09" (2.3 mm)	Welded Aluminum 0.09" (2.3 mm)

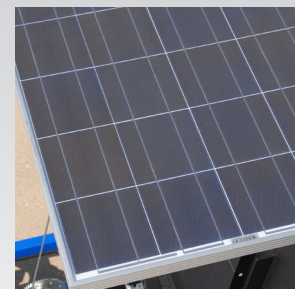
Colors & Options Blue Powder Coat [standard],
Other colors [optional],
Anti-corrosion [optional]

Blue Powder Coat [standard],
Other colors [optional],
Anti-corrosion [optional]



Street Dynamics Message Center 360 Specifications

	MC 360 - 4' x 8'	MC 360 - 3' x 6'
Trailer		
Tongue Weight	75 lb. (34 kg)	76 lb. (34 kg)
Frame Material	2" x 3" (11 gauge)	2" x 3" (11 gauge)
Deploy Support	(4) Swing Jack	(4) Swing Jack
Display Lift Mechanism	Anti-reversing Manual Winch Optional: Electric 1500 lb	Anti-reversing Manual Winch Optional: Electric 1500 lb
Fender Material	Formed Plastic	Formed Plastic
Energy		
Energy Source	(4) 6 volt deep-cycle batteries, 12v 440 Ah total	
Autonomy	21 days @ 78° (25° C)	
Solar panel system	170W	
Solar Recovery Rate	4 hours sun/1 day	
Idle Consumption	1.8 watts	1.6 watts
Power consumption (88 at 100% brightness)	5.1 watts (checkerboard)	4.9 watts (checkerboard)



Solar panel system



Optional flashing strobes

STALKER
STREET DYNAMICS

	MC 360 - 4' x 8'	MC 360 - 3' x 6'
Display		
MUTCD Compliant	Yes	
Display Height	48" (122 cm)	44" (112 cm)
Display Width	96" (243 cm)	77" (183 cm)
Display Depth	4.25" (10.8 cm)	
Fonts	8	
Lamp Type	30° amber LED Amber - 590 nm	
Legibility	Up to 1000' (305 m)	
Pixels	25 x 48	28 x 48
Illumination	Active LED brightness	
Strobes	Optional: (3) Red & (3) Blue	
Viewing Area	44" x 84"	36" x 63"
Window Face	0.125" Lexan	
Bezel Color	Black	



MC 360 - 3' x 6'



MC 360 - 4' x 8'

MC 360 - 4' x 8' and 3' x 6'

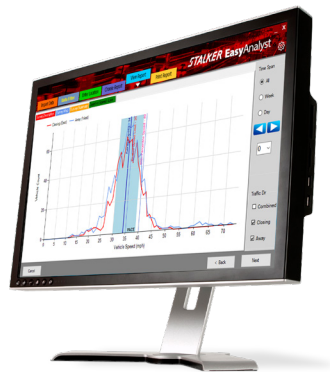
Controller	
Console Type	Color LCD, touchscreen
NTCIP Compliant	Yes
Connection method	Console, USB, 4G [optional]
Control SW	Console, Remote control [optional]
Custom Messages	100 User Defined + Multiple-page
Preset Messages	250 Text 80 Graphic 20 Arrow board



On-board Computer

Optional Radar & Statistics

Radar / Band	Stalker Traffic Statistics Sensor K-Band
Speed Range	1 MPH to 200 MPH
Detection distance	Up to 1200' (365 m)
Radar beam width	33° x 33°
Directionality	Approaching (display) Approaching + Receding (logged data)
Statistics Storage	16 MB - On-device storage
Statistics Analysis	Optional - Stalker Traffic Analyst



Stalker Traffic Analyst

Options & Accessories

Options	ALPR - Ready Web Based Remote Access Red/Blue LED strobe Bars High Security Control Box Electric Panel Winch Zinc Plating
Accessories	Coupler Lock Tongue Jack (2000 lb) Spare tire Wheel Lock



Stalker Traffic Statistics Sensor K-Band



Warranty

Trailer	5 Years
Solar	5 Years
Batteries	1 Year

StreetDynamics.com
1-800-782-5537

STALKER STREET DYNAMICS

applied concepts, inc.

855 East Collins Blvd. ■ Richardson, Texas 75081
972.398.3780 ■ Fax 972.398.3781

006-0040-00 Rev C

Copyright © 2023 Applied Concepts, Inc. All Rights Reserved.

